

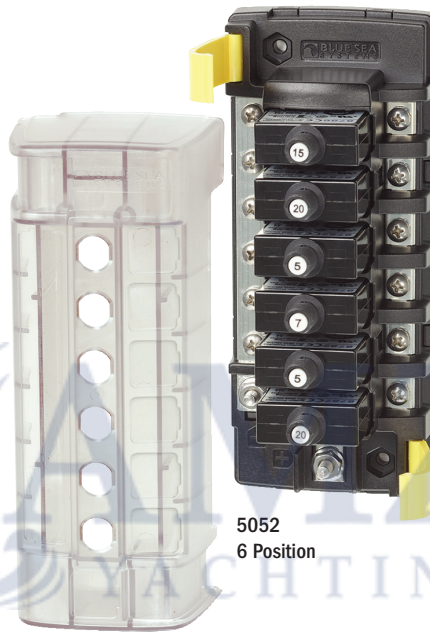
ST CLB

CIRCUIT BREAKER BLOCK

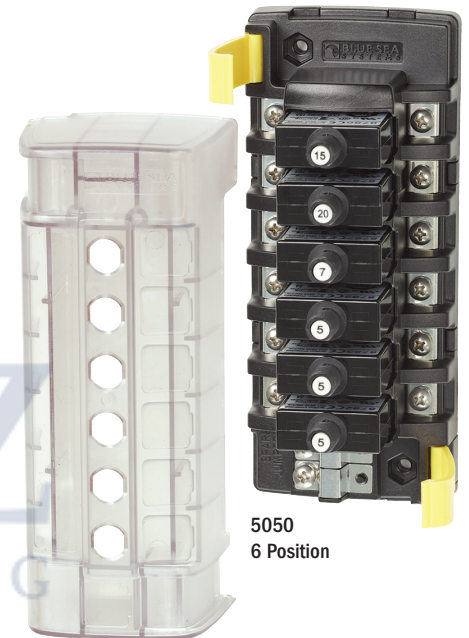
Compact surface mount circuit breaker block where push button reset-only circuit breakers are desired

- Quick connect clips allow circuit breakers to snap easily into place and offer secure retention
- Tin-plated copper busses and screw terminals
- Clear insulating cover with square format label recesses, satisfies ABYC/USCG insulation requirements
- Breakouts allow wire access in two directions
- Accepts ring terminals
- Jumpers included with 5050 and 5051 to bus multiple circuits together (two in retail package)
- Circuit breakers sold separately (one in retail package)

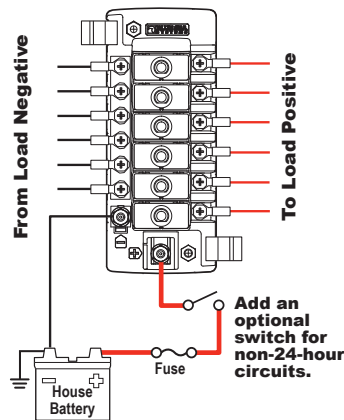
Common Source with Ground Bus



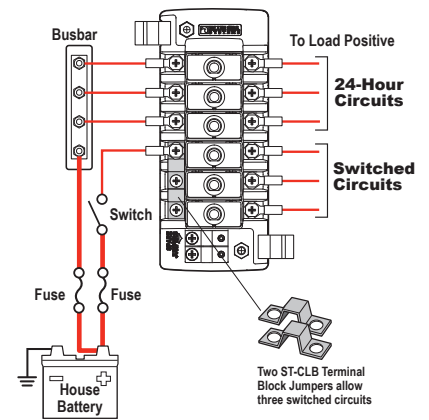
Independent Source without Ground Bus



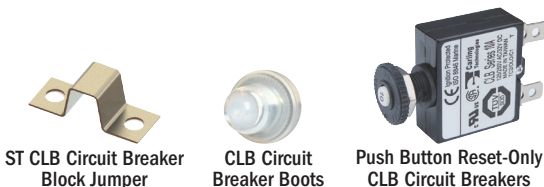
Wiring Diagram Example
Six Switched or Six 24-Hour Circuits



Wiring Diagram Example
Three Switched Circuits, Three 24-Hour Circuits



Related Products



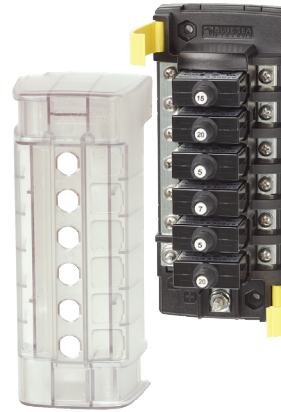
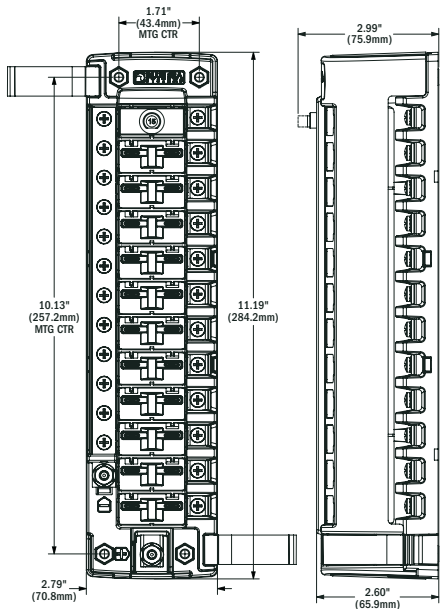
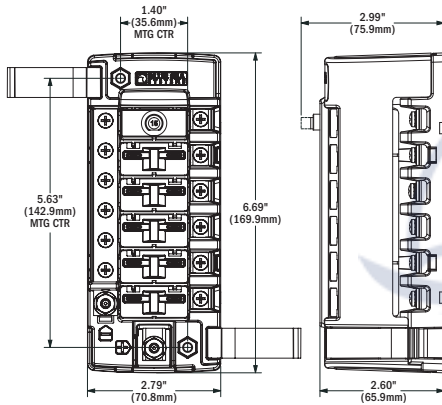
ST CLB CIRCUIT BREAKER BLOCK



Specifications

Voltage Max. Operating	32V DC
Amperage Max. Operating	32A (per circuit)
Amperage Max. Operating	100A (per block - common source)
Amperage Max. Operating	40A (per jumped circuit group - independent source)
Temperature Min. Operating	-10°C
Temperature Max. Operating	60°C
Breaker Type	Push Button Reset-Only Circuit Breaker with Quick Connect Terminals
Screw Terminal	#8-32 Screws with Captive Star Lock Washer
Mounting	#8 Screw (M4) or #8 Nut
Stud Size	#10-32 (M5)
Ring Terminal Size	#10 Diameter (M5)

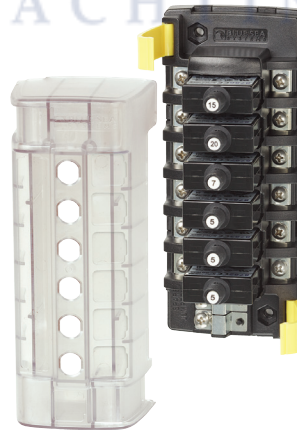
PN	Positions	Negative Bus	Source
5050	6	-	Independent
5051	12	-	Independent
5052	6	Yes	Common
5054	12	Yes	Common
5049	Jumper (two included in retail package)		



5052
6 Position Common Source



5054
12 Position Common Source



5050
6 Position Independent Source



5051
12 Position Independent Source



425 Sequoia Drive
Bellingham, WA 98226 USA
p 360.738.8230
p 800.222.7617 USA and Canada
f 360.734.4195
conductor@blueseas.com
www.blueseas.com

Specifications subject to change.
See blueseas.com for current information.
980016150 Rev.002